

4650N-351 AC Axial Lüfter

119mm axial fan with high air flow and minimum noise level. Aerodynamically shaped, all metal construction. Driven by shaded pole motor. External rotor dynamically balanced in two planes. 5 fan blades made of sheet steel directly welded to the rotor. Air intake over struts. Rotational direction CW looking at rotor.



Features

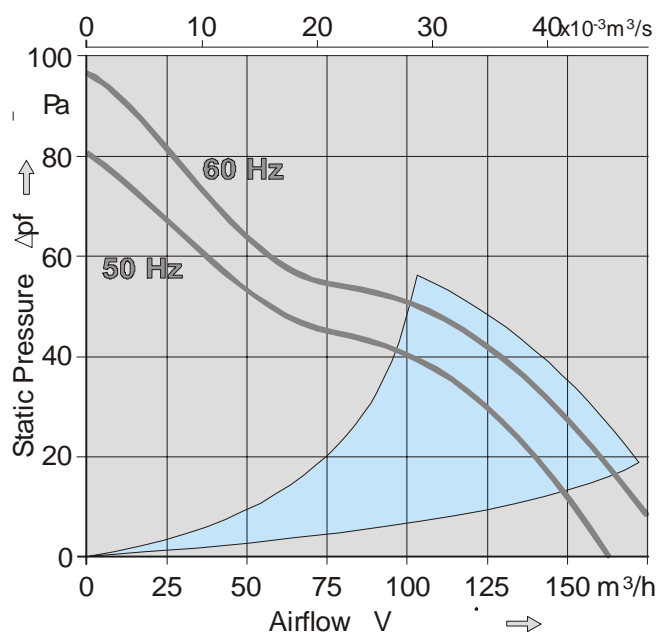
- Overload protection (impedance protected).
- For maintenance-free continuous operation
- Any mounting position
- 4,3mm mounting holes
- Fan Drawing see next page

General Data

Nominal voltage	V	230	230
Frequency	Hz	50	60
Nominal speed	rpm	2650	3100
Max. flow rate	m ³ /h	160	180
Max. flow rate	CFM	94.2	105.9
Noise free air	dB(A)	46	50
Power consumption	W	18	17
Perm. Ambient temperature, at max. voltage	°C	-10 ... +55	-10 ... +60
Service life at t _{max}	h	27, 500	25,000
Service life at (40 °C)	h	37, 500	40,000
Approvals	CSA, UL, VDE		
Fan housing / impeller	Metal / Metal		
Bearing system	Sleeve bearing		
Mass	g	550	

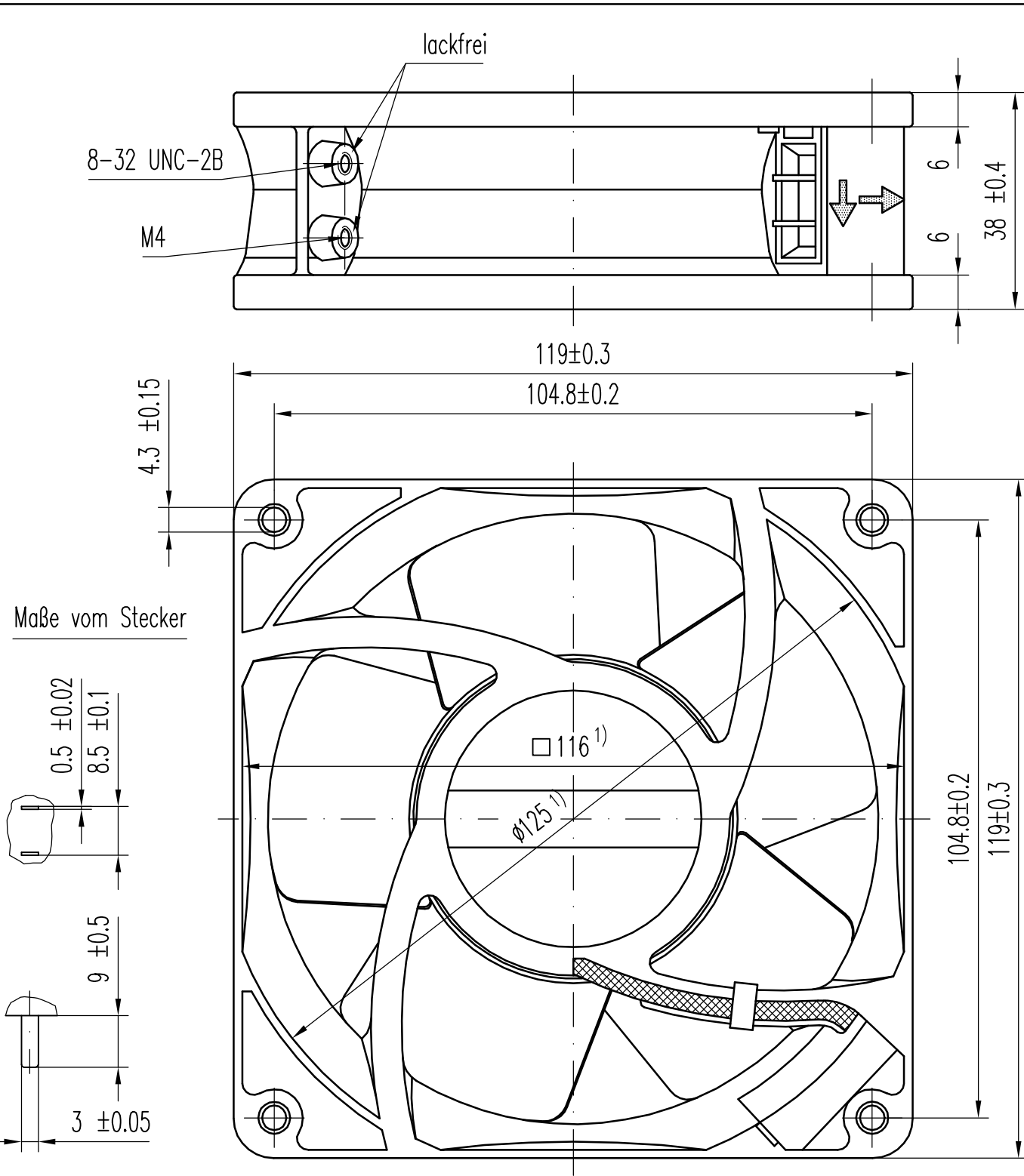
data are mean values at nominal voltage.

Subject to technical change.



Copying of this document, and giving it to others and the use or communication of the contents thereof, are forbidden without express authority. Offenders are liable to the payment of damages. All rights are reserved in the event of the grant of a patent or the registration of a utility model or design.

Schutzvermerk nach DIN 34 beachten



1) Maße für Montagewand

Axialspiel : 0,1 - 0,6

Allgemeintoleranzen

DIN 7168 grob

gilt für :

924 4014 471	4650 NU				
924 4014 452	4650 NR				
924 4014 351	4650 N				
924 4014 346	4610 N				
924 4014 200	4612 N				
924 4014 142	4624 N				
924 4014 116	4600 N				

516
210
232
235
240
3..

				Datum	Name
				Erstellt	21.01.98 Koletzki M.
				Geprüft	21.01.98 Wrobel G.
c	Ergänzung	21.01.98	Koletzki M.	PAPST PAPST-MOTOREN GmbH & Co KG D-78112 St.Georgen Germany	
Index	And.-Nr.	Datum	Geändert von		
Zur Verwendung im Verteiler freigegeben von Wrobel G. am 21.01.98					

Artikel	Axiallüfter	Maßstab	1:1
Zchg.-Nr.	924 4014 116	Blatt	2
Ers.f.Zchg.:	gl.Nr.v.24.02.76	K\924\4014\	116-2.DWG