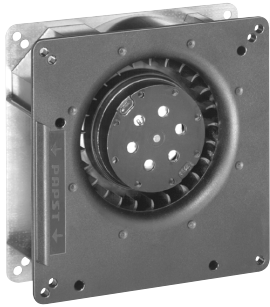


RG 90-18/56

AC centrifugal compact fan

single inlet



ebm-papst St. Georgen GmbH & Co. KG

Hermann-Papst-Str. 1
D-78112 St. Georgen
Phone +49 (0) 7724 81-0
Fax +49 (0) 7724 81-1309
info2@de.ebmpapst.com
www.ebmpapst.com

Nominal data

Type	RG 90-18/56	
Phase		1~
Nominal voltage	VAC	230
Frequency	Hz	50
Speed	min ⁻¹	2200
Power input	W	22.0
Min. ambient temperature	°C	-30
Max. ambient temperature	°C	60
Air flow	m ³ /h	54
Sound power level	B	5.8

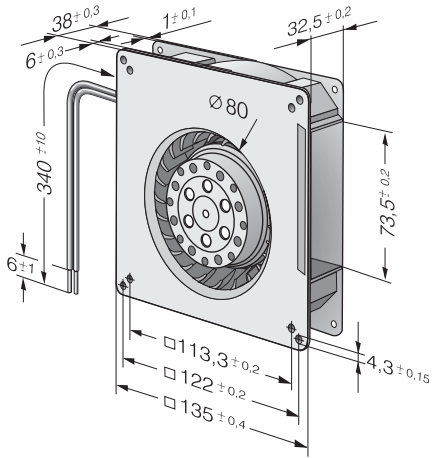
ml = Max. load · me = Max. efficiency · fa = Running at free air · cs = Customer specs · cu = Customer unit
Subject to alterations



Technical features

General description	Forward-curved impeller
Housing material	Scroll housing made of fibreglass-reinforced plastic (PBT), housing base made of sheet steel
Mass	0.560 kg
Dimensions	135 x 135 x 38 mm
Material of impeller	Fibreglass-reinforced plastic (PA)
Direction of air flow	Centrifugal, air exhaust out of housing window
Direction of rotation	Right, looking at rotor
Bearing	Ball bearings
Lifetime L10 at 40 °C	35000 h
Lifetime L10 at maximum temperature	22500 h
Connection line	Via 2 single wires AWG 22
Motor protection	Protected from overload using impedance protection
Approval	VDE, CSA, UL, CE

Product drawing



Charts: Air flow

